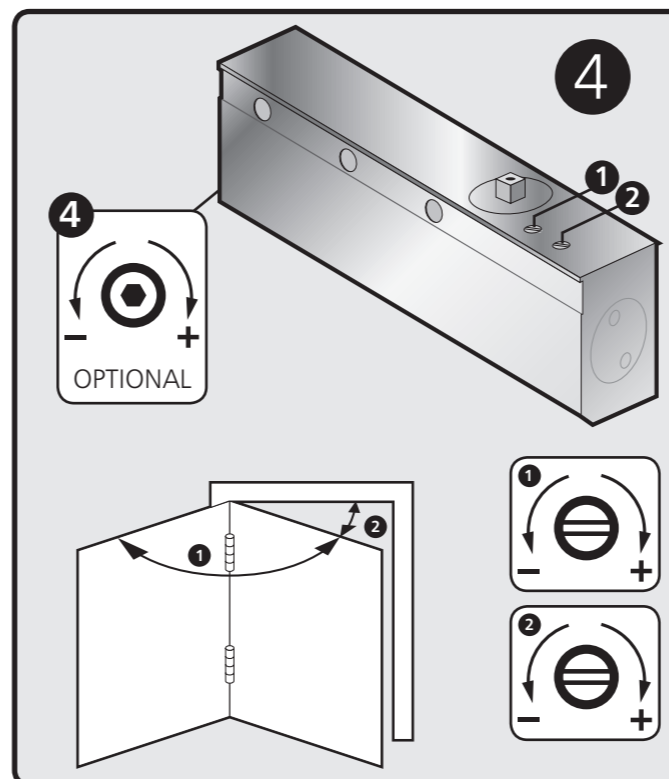
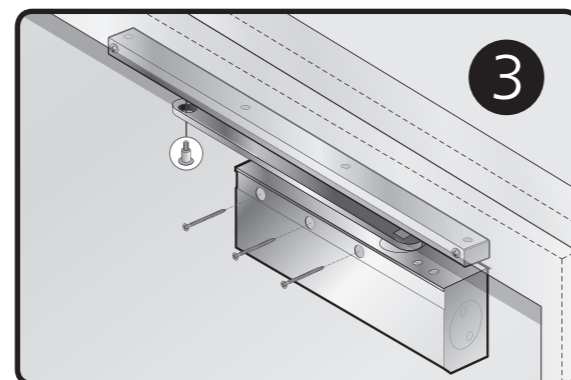
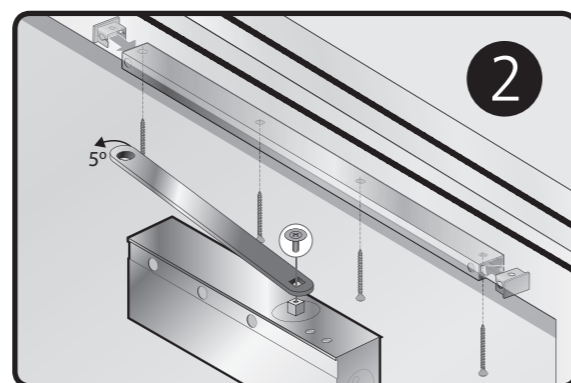
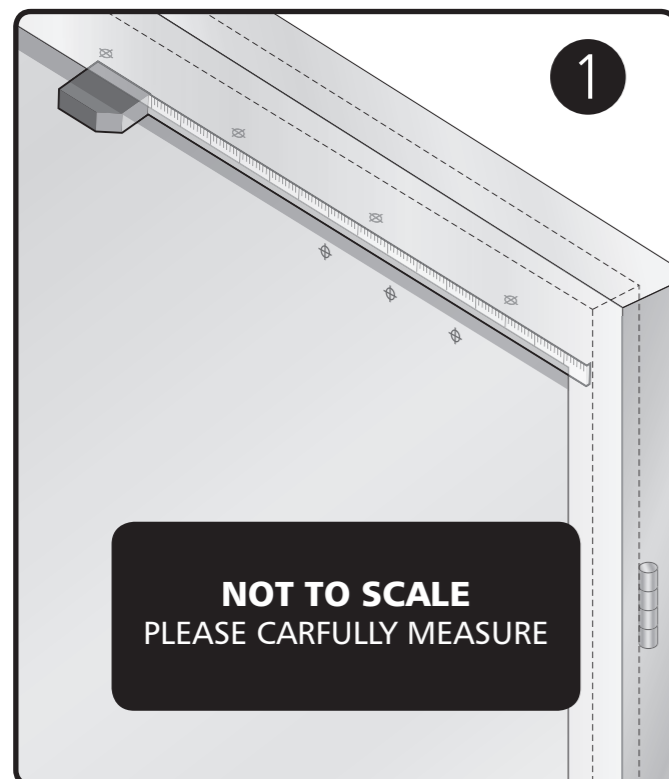
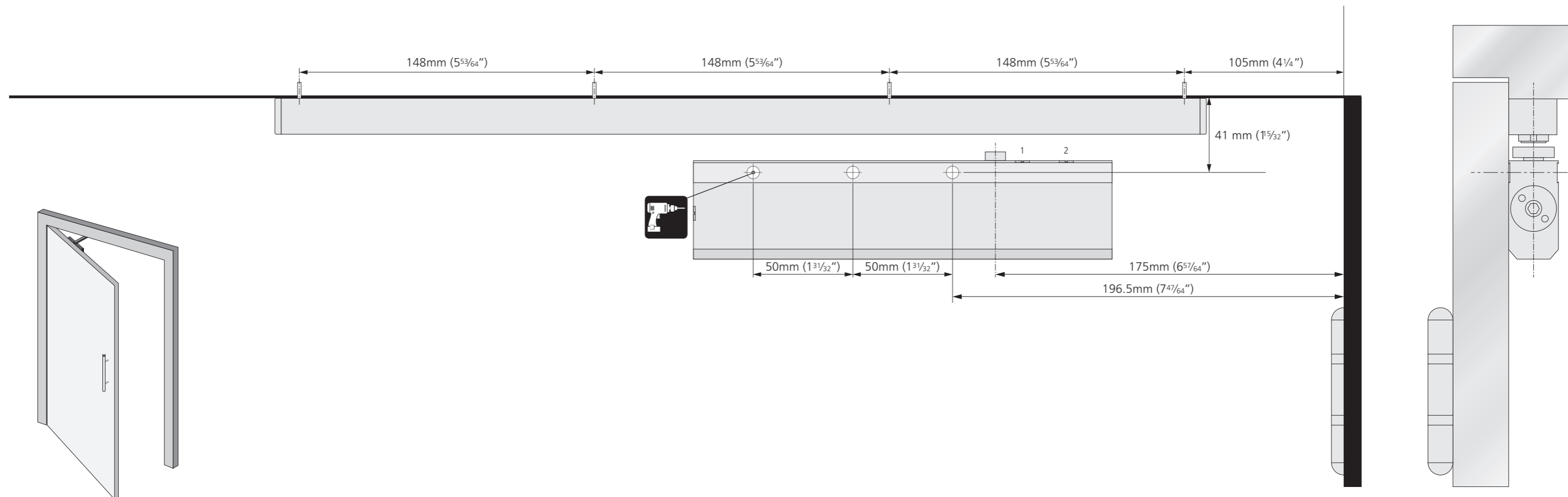


24/02/21



Push Side Fitting - Slide Arm

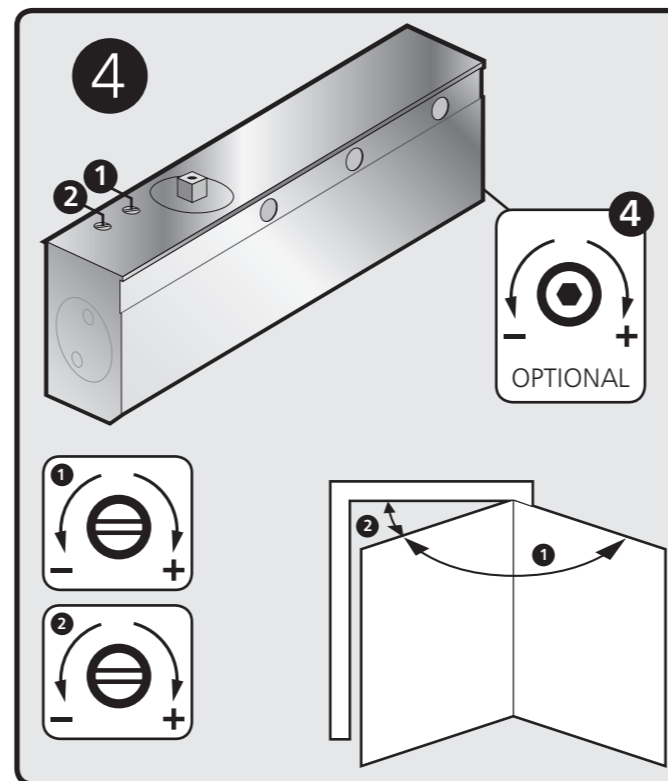
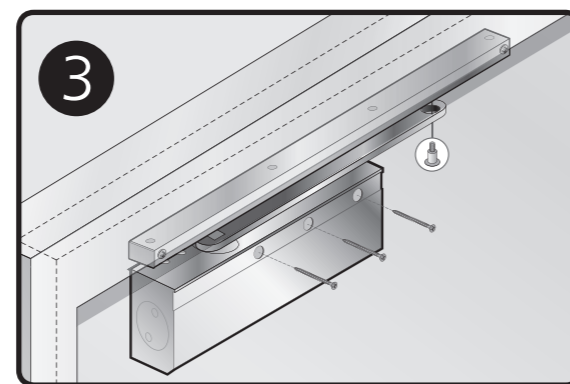
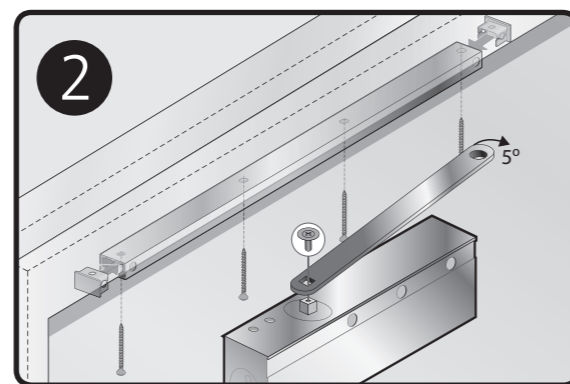
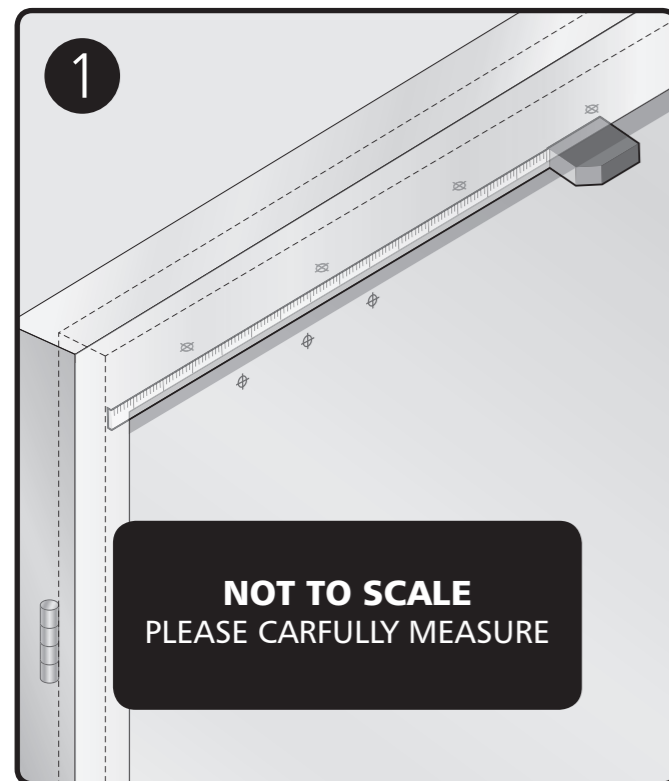
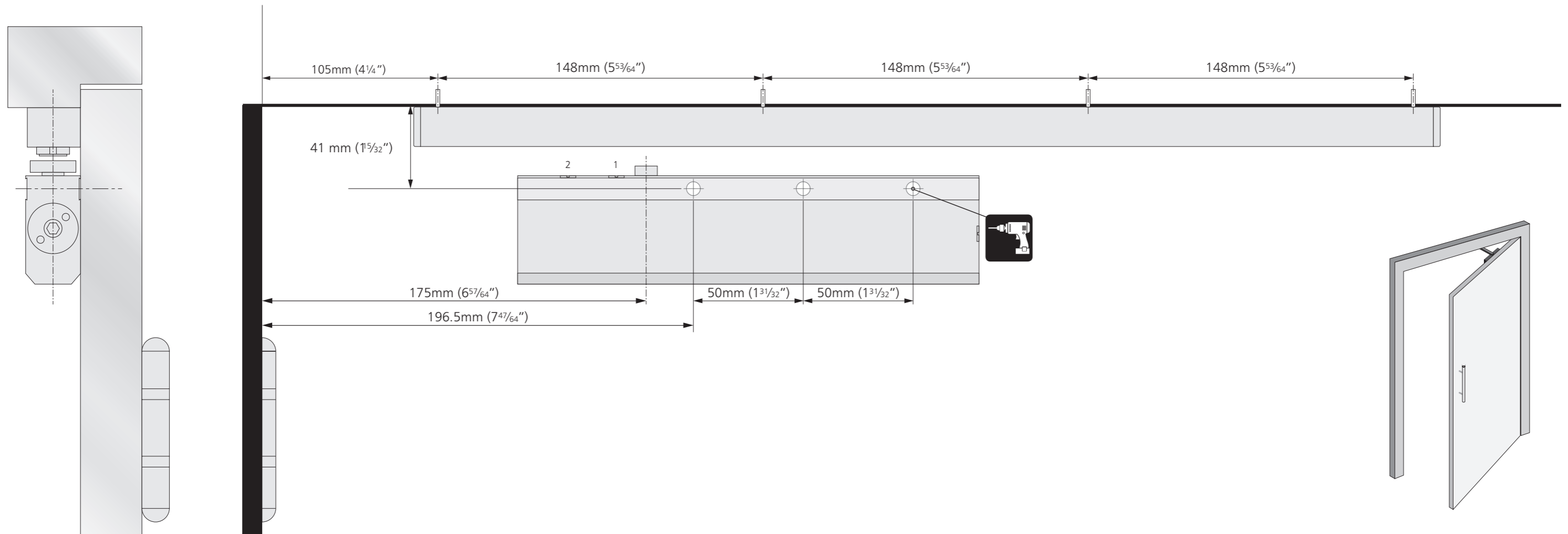
Code: S-60



2-5 Power Adjustment

Size	Max. door width	Max. opening angle	Max weight
2	850m m	110°	45
3	950m m	110°	60
4	1100m m	110°	80
5	1250m m	110°	100

■ EN2 NOT SUTABLE FOR FIRE DOORS



2-5 Power Adjustment

Size	Max. door width	Max. opening angle	Max weight
2	850m m	110°	45
3	950m m	110°	60
4	1100m m	110°	80
5	1250m m	110°	100

■ EN2 NOT SUITABLE FOR FIRE DOORS