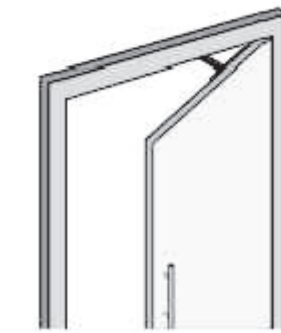
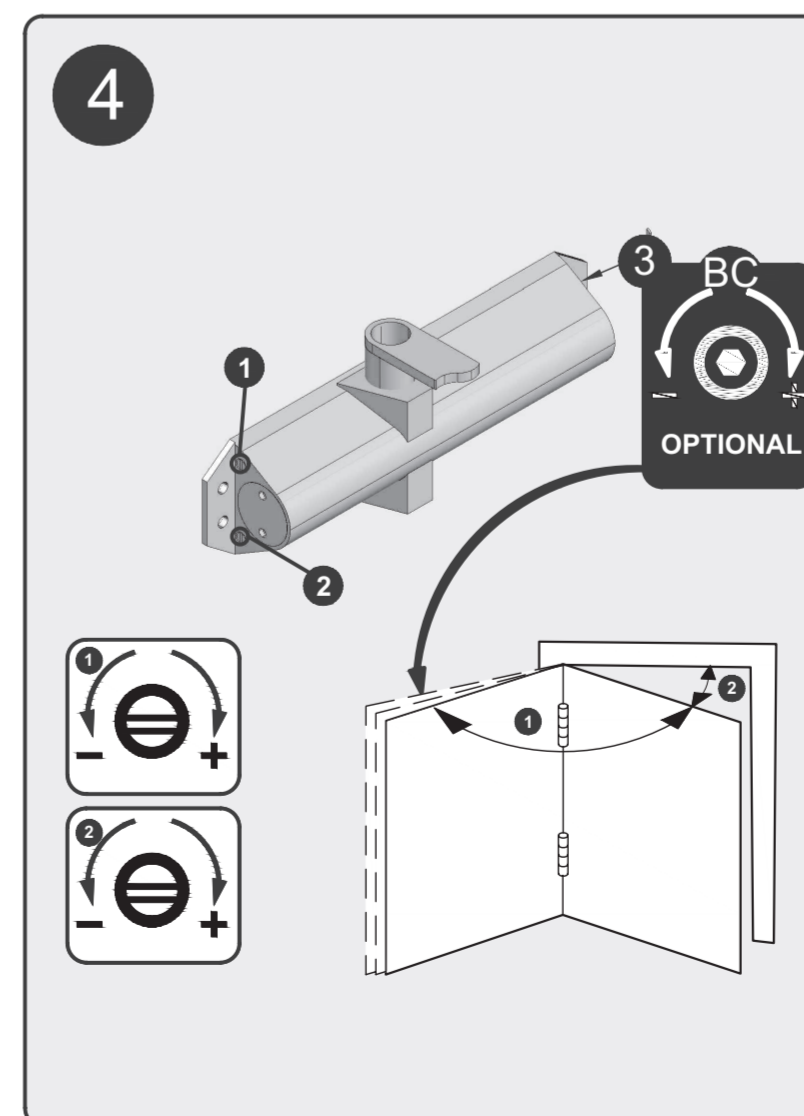
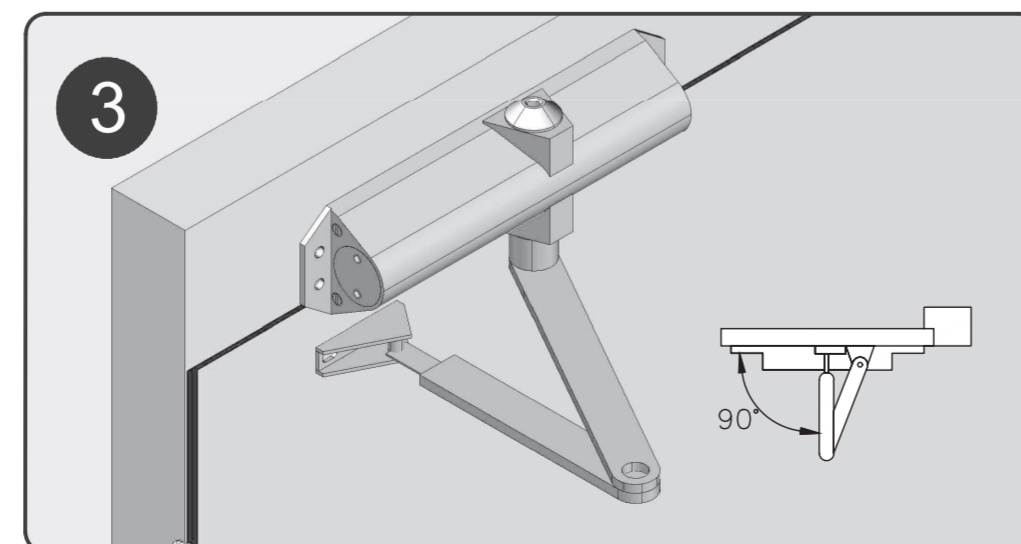
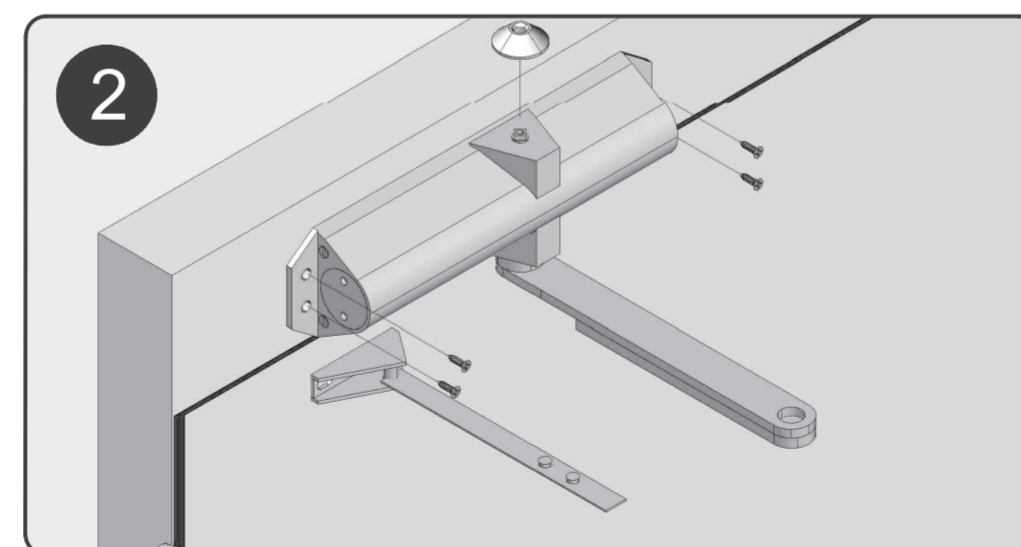
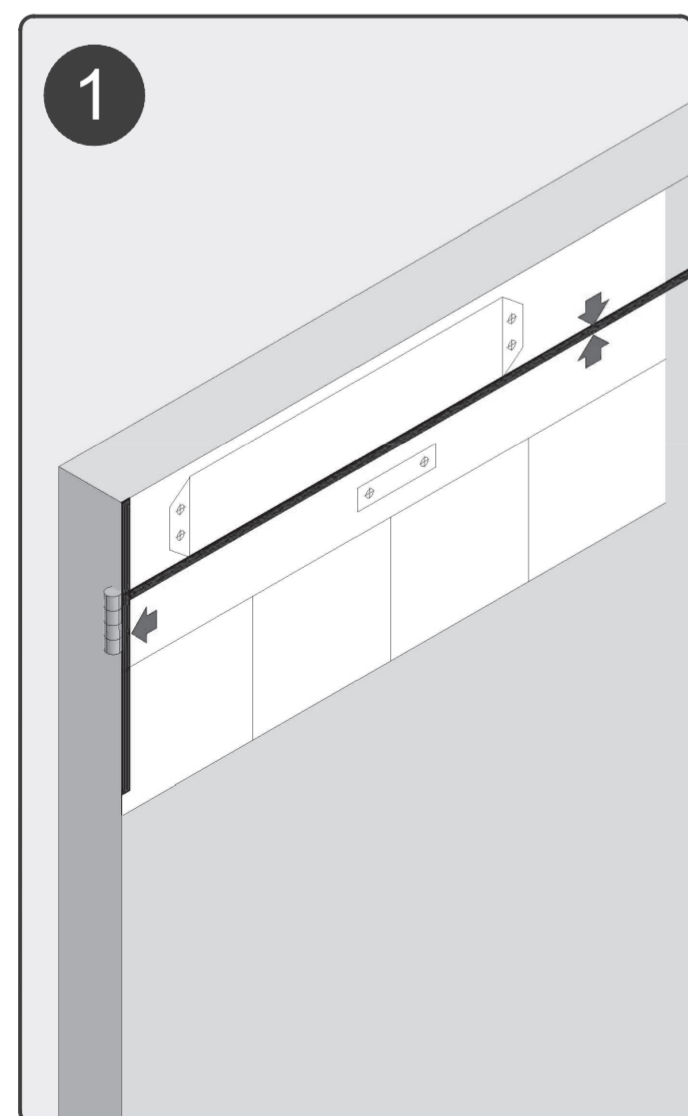
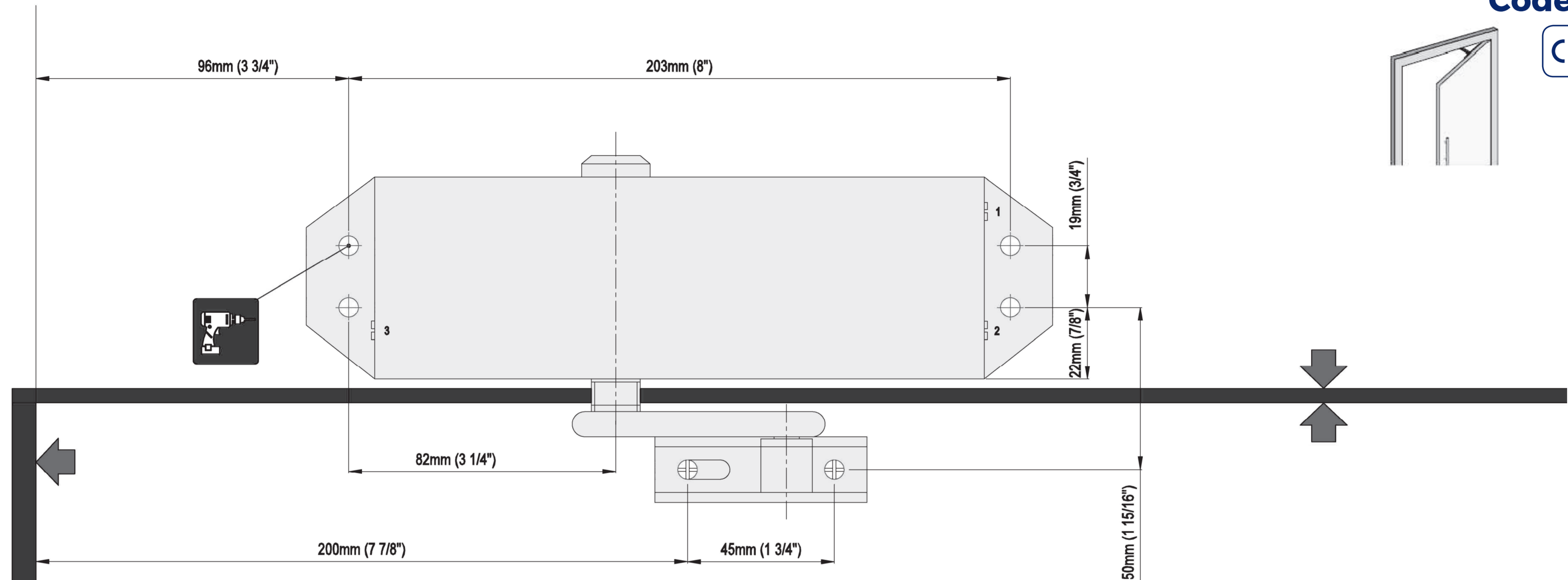


Push Side Fitting - Transom Overhead Frame Installation

Code: S-10



10/02/21



EN 3 Power Adjustment

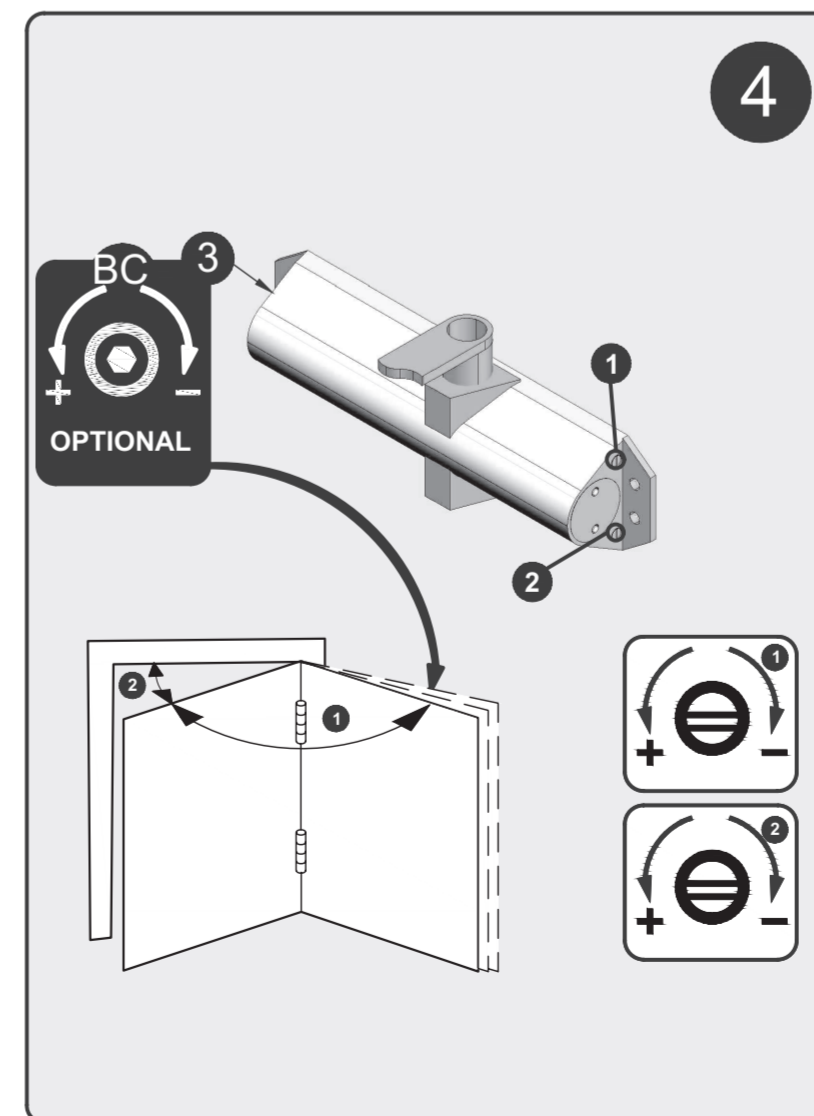
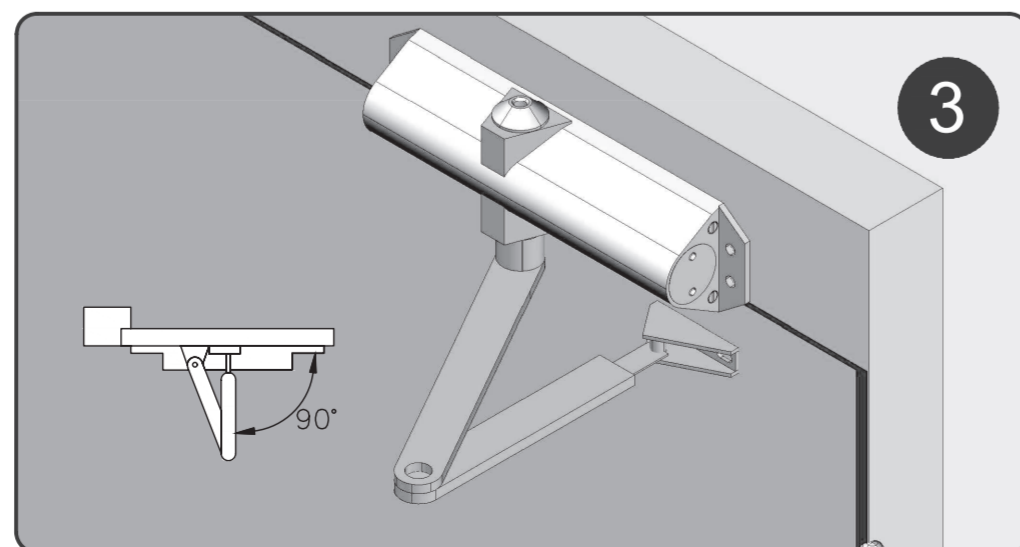
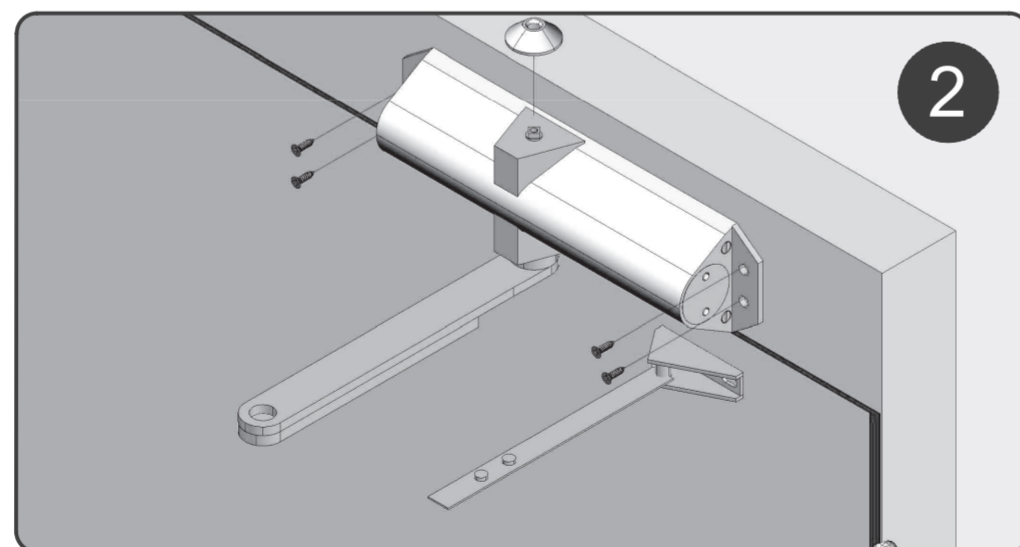
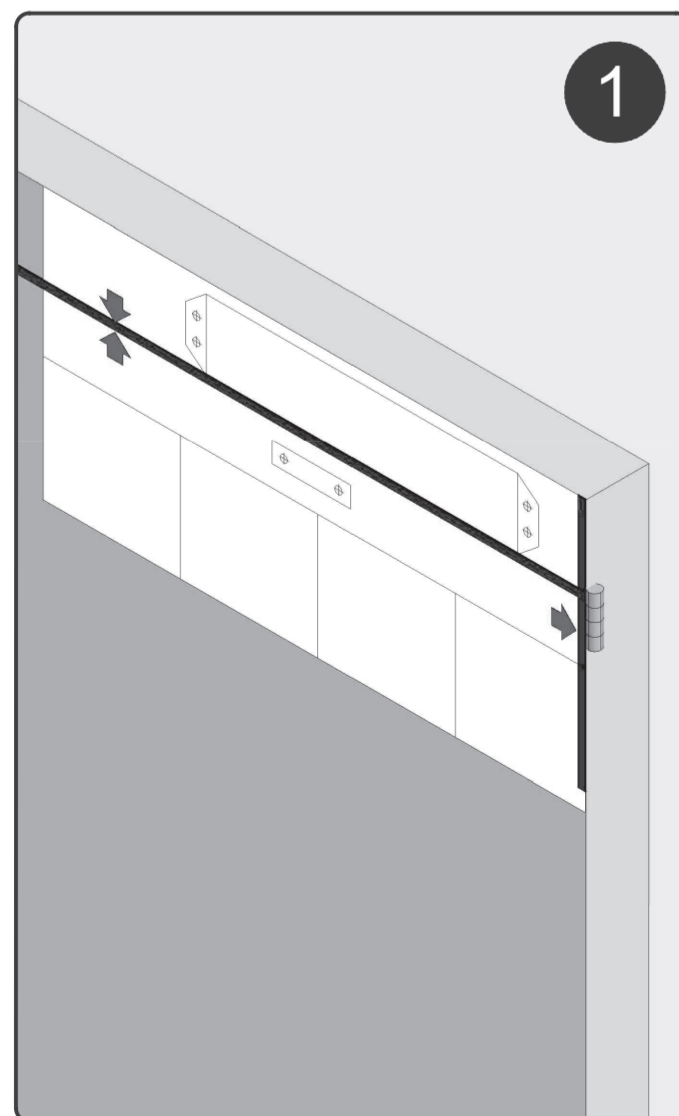
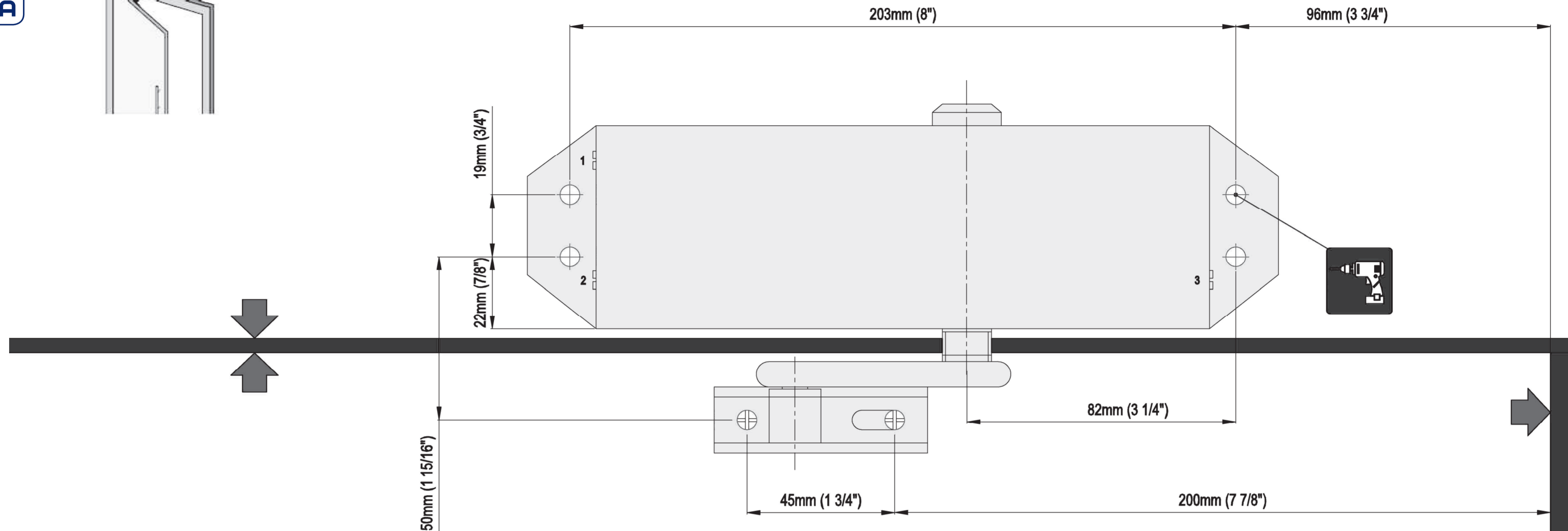
EN Size	Max. door width	Max. Opening Angle
3	930mm	180°

* FACTORY PRE-SET
 THE PINION BOLT MUST BE TIGHTENED TO 12NM.
 A MECHANICAL DOOR CLOSER IS NOT DESIGNED TO OVERCOME POOR FITTING, NOR TO OVERCOME EXCESSIVE AIR PRESSURES OR BINDING SMOKE AND WEATHER SEALS. EXCESSIVE AIR PRESSURES CAN BE CREATED BY THROUGH DRAFT, BY AIR CONDITIONING, BY SMALL ROOMS WITHOUT VENTILATION, OR WHERE NO AIR TRANSFERS GRILLS ARE FITTED. MECHANICAL DOOR CLOSERS ARE DESIGNED TO CLOSE THE STATED AND TESTED SPECIFICATION OF DOOR WEIGHT AND DOORSETS/DOOR ASSEMBLIES WHEN DOORS ARE FITTED WITH CORRECT GAPS AND NOT BINDING ON SEALS. IF YOU ENCOUNTER PROBLEMS WITH DOORS NOT CLOSING PLEASE WATCH OUR "6 WAYS TO TROUBLESHOOT A DOOR CLOSER" VIDEO WHERE DOORS ARE NOT CLOSING DUE TO AIR PRESSURES THEN PROFESSIONAL ADVICE FROM AN AUTHORISED INSTALLER IS RECOMMENDED TO FIT FIRE TESTED AND THIRD PARTY CERTIFICATED AIR TRANSFER GRILLS, AND/OR AUTOMATIC DOOR OPERATORS.

Push Side Fitting - Transom Overhead Frame Installation Code: S-10



10/02/21



EN 3 Power Adjustment

EN Size	Max. door width	Max. Opening Angle
3	930mm	180°

* FACTORY PRE-SET
 THE PINION BOLT MUST BE TIGHTENED TO 12NM.
 A MECHANICAL DOOR CLOSER IS NOT DESIGNED TO OVERCOME POOR FITTING, NOR TO OVERCOME EXCESSIVE AIR PRESSURES OR BINDING SMOKE AND WEATHER SEALS. EXCESSIVE AIR PRESSURES CAN BE CREATED BY THROUGH DRAFT, BY AIR CONDITIONING, BY SMALL ROOMS WITHOUT VENTILATION, OR WHERE NO AIR TRANSFERS GRILLS ARE FITTED. MECHANICAL DOOR CLOSERS ARE DESIGNED TO CLOSE THE STATED AND TESTED SPECIFICATION OF DOOR WEIGHT AND DOORSETS/DOOR ASSEMBLIES WHEN DOORS ARE FITTED WITH CORRECT GAPS AND NOT BINDING ON SEALS. IF YOU ENCOUNTER PROBLEMS WITH DOORS NOT CLOSING PLEASE WATCH OUR "6 WAYS TO TROUBLESHOOT A DOOR CLOSER" VIDEO WHERE DOORS ARE NOT CLOSING DUE TO AIR PRESSURES THEN PROFESSIONAL ADVICE FROM AN AUTHORISED INSTALLER IS RECOMMENDED TO FIT FIRE TESTED AND THIRD PARTY CERTIFICATED AIR TRANSFER GRILLS, AND/OR AUTOMATIC DOOR OPERATORS.