

Responder 24 Electromagnetic Closer



Silver (SE)



Satin Nickel Plate (SNP)



Polished Nickel Plate (PNP)



Electro Brass (PVD)



Antique Brass (AB)

Product Overview

The Rutland Responder 24, Electromagnetic Door Closer has been designed with universal handing and ease of fitting with the hygienic plug and go wiring.

- ✓ Size EN4 which can be Hold Open or Swing Free and fitting on either left or right hand doors has made them easy to specify and order.
- ✓ The one box and one code make the unit very manageable for the fitter, buyer, merchant stockist or specifier.
- ✓ Fire and endurance tested to meet and exceed the European standards that will leave your doors closed in a fire and emergency situation.
- ✓ The Electromagnet is activated by the Fire alarm system or over ridden on the switch if required making it very versatile and easy to use.
- ✓ These closers are tested to 60minutes in successful EN 1634 fire tests.



Specification Overview



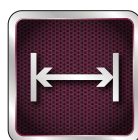
Fire Tested to
EN1634



Max Door
Weight 80kg



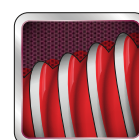
Opening Angle
180°



Max Door Width
1050mm



Adjustable
Closing Speed



Rut Lock



Universal
Application



Power Size
EN4



Adjustable
Latch Speed



Guarantee

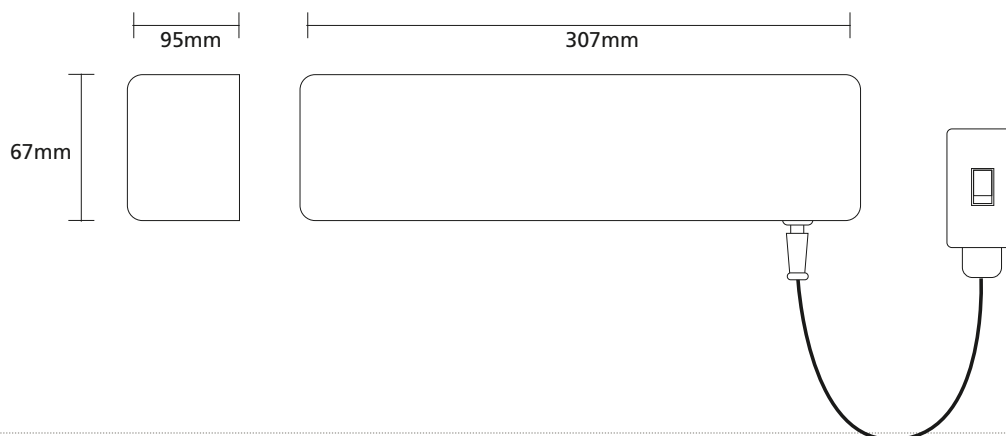


1942-CPR-44-
0111-18-01



24V Direct
Current

All dimensions shown are in mm.



Technical Information

Volts: 24VDC

Amp: 84ma Draw

Watts: 2W

The current 2A 24VDC Power Supply Unit (PSU) we stock has 4 outputs.

BS EN 1155 Classification

Responder 24 door closers have been independently tested to conform with the BS EN 1155 performance standard. They are CE marked and classified as follows:

4 8 4 1 1 3

BS EN 1634 Fire Test

Responder 24 door closers have been tested up to 60 minute door sets. Test certificates are available on request.

Options

- Finishes available: Silver, Satin Nickel, Polished Nickel, Polished Brass and Antique Brass
- Power supply unit is available - on request